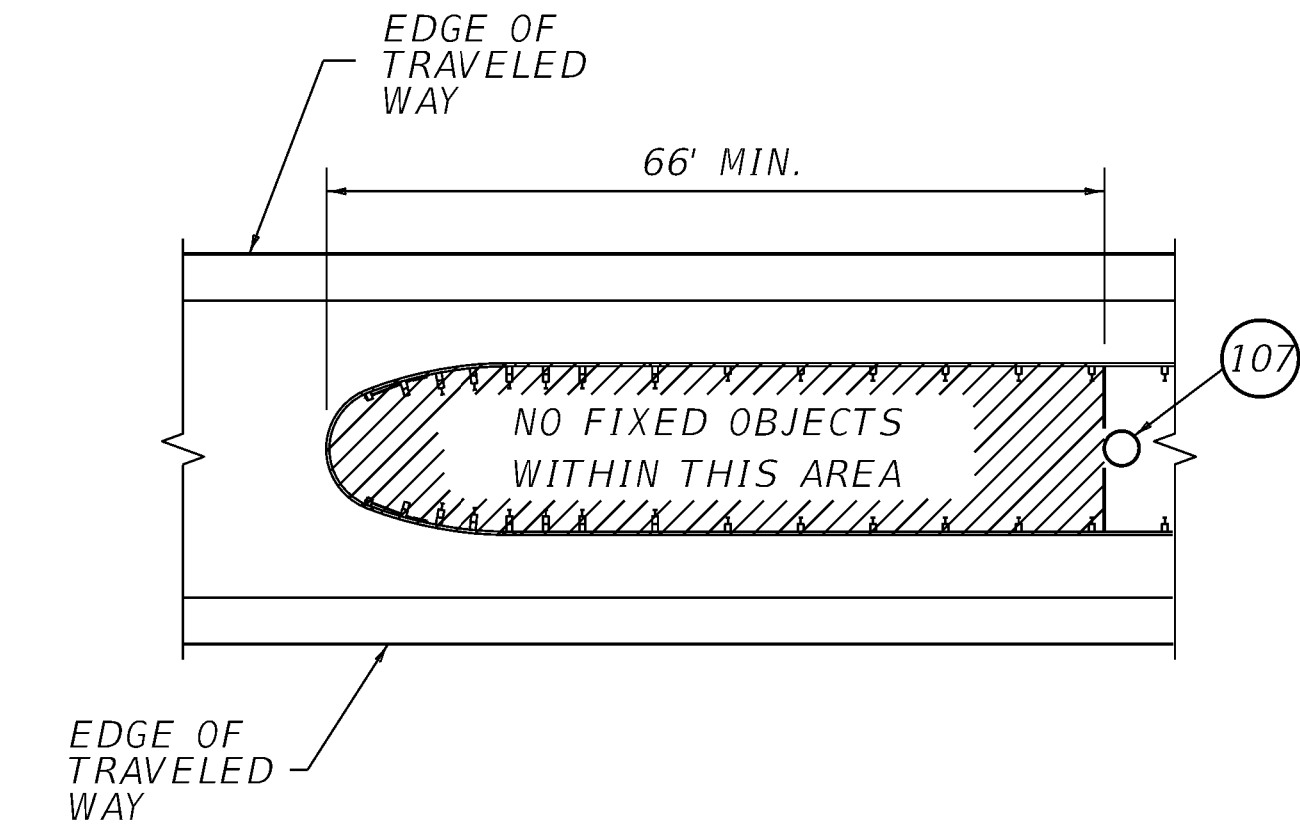


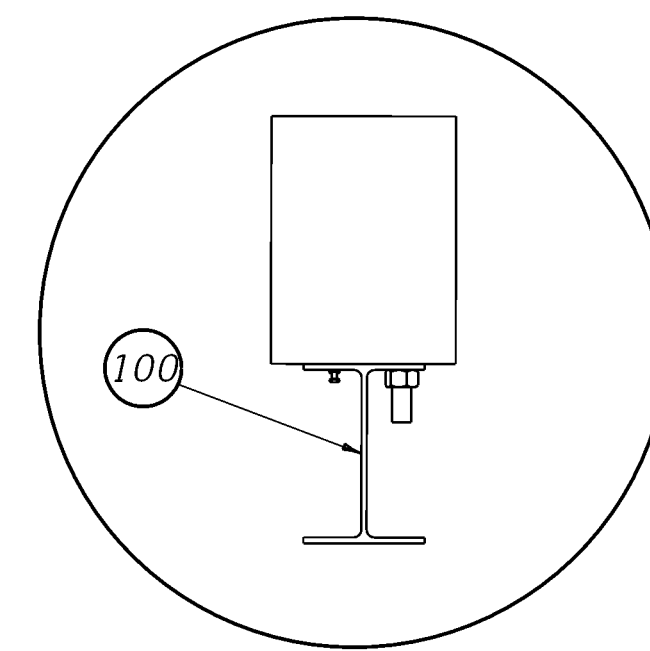
LAPPING DETAIL



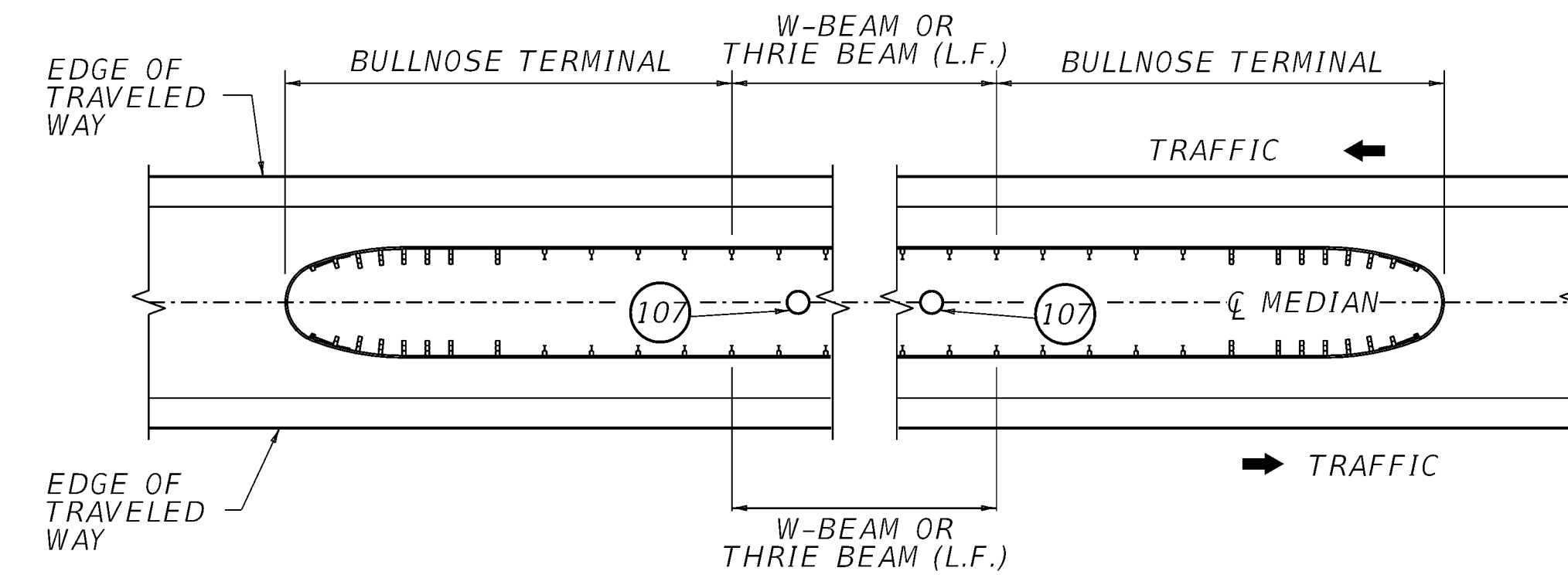
OBSTACLE FREE AREA INSIDE BULLNOSE

~ NOTES ~

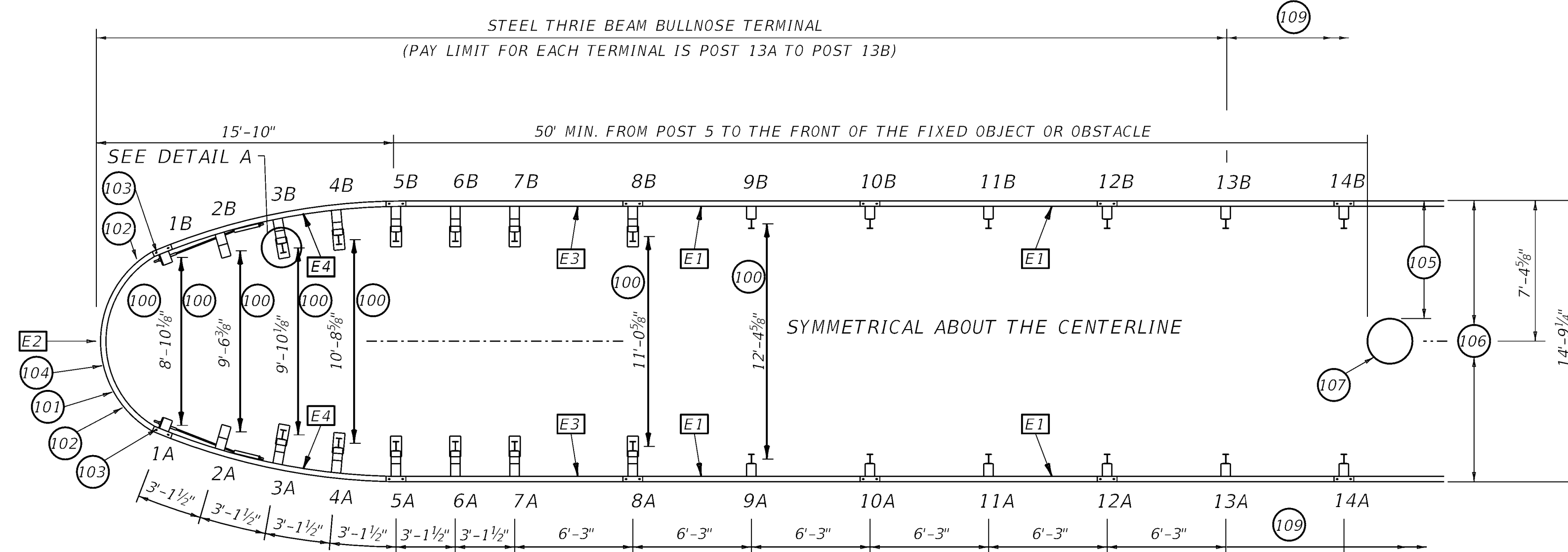
- 100 DIMENSIONS ARE MEASURED TO THE CENTER OF THE GUARDRAIL POSTS.
ON THE PLAN SHEETS, THE DESIGNER MUST INCLUDE THE STATION AND OFFSET MEASUREMENTS FOR THE CENTER OF THE GUARDRAIL POSTS OF THE BULLNOSE. REFER TO SHEET 3 FOR DETAILS.
REFER TO DETAIL A FOR MORE INFORMATION.
- 101 U-BOLT CABLE CLIPS (3 PER CABLE) SPACED OUT ON NOSE, TO HOLD CABLE TO BACKSIDE OF THE RAIL.
- 102 NOSE CABLE WITH SWAGGED END BUTTONS.
- 103 NOSE CABLE ANCHOR PLATE (BACKSIDE OF SPLICE).
- 104 THE SLACK IN THE NOSE CABLES SHALL BE EVENLY DISTRIBUTED BETWEEN THE CABLE CLIP FASTENERS AND POST NO. 1 ON EITHER SIDE OF THE NOSE.
- 105 MINIMUM WORKING WIDTH 4'-2".
GRADING INSIDE THE THRIE BEAM TERMINAL BEYOND POST 13 MAY BE ADJUSTED FOR DRAINAGE, PROVIDED THERE IS A MINIMUM OF 2 FEET OF FILL BEHIND THE POSTS TO ENSURE ADEQUATE SUPPORT FOR THE SYSTEM.
- 106 MINIMUM WIDTH OF SYSTEM IS 14' - 9 1/4" MEASURED FROM FACE OF GUARDRAIL TO FACE OF GUARDRAIL.
- 107 FIXED OBJECT OR OTHER OBSTACLE.
- 108 PARTS E1 THROUGH E4 ARE THRIE BEAM RAILS. SEE SHEET 8 FOR DETAILS.
 - E1 UNBENT STANDARD THRIE BEAM RAIL (POST 8 AND BEYOND)
 - E2 SLOTTED THRIE BEAM RAIL (POST 1B TO POST 1A)
 - E3 SLOTTED THRIE BEAM RAIL (POST 5 TO POST 8)
 - E4 SLOTTED THRIE BEAM RAIL (POST 1 TO POST 5)
- 109 BEYOND POST 12 - CAN CONSTRUCT W-BEAM GUARDRAIL OR THRIE BEAM GUARDRAIL. FOR W-BEAM INSTALLATIONS, TRANSITION THE RAIL FROM POST 12 TO 13 BY USING A THRIE BEAM CONNECTOR (INCIDENTAL TO THE BULLNOSE TERMINAL BID ITEM) FOLLOWED BY A STANDARD POST AND BLOCK, SPACED AT 3' - 1 1/2". CONTINUE BARRIER SYSTEM WITH STANDARD 6' - 3" POST SPACING, AND TRANSITION THE BULLNOSE RAIL HEIGHT TO 31" OVER A 12' - 6" BEAM LENGTH. FOR ADDITIONAL DETAILS SEE RBR-001, RBR-005 AND THE DETAIL ON SHEET 2.
FOR THRIE BEAM INSTALLATIONS BEYOND POST 12, TRANSITION THE BULLNOSE RAIL HEIGHT TO 33" OVER A 12' - 6" BEAM LENGTH.
- 110 SEE SHEET 5 FOR DETAILS ON THE INSTALLATION OF DELINEATOR REFLECTORS.
- 111 SEE SHEET 4 FOR MEDIAN GRADING.
- 112 THRIE BEAM RAILS MAY NEED TO BE FIELD BENT TO FIT THE LOCATION.
- 113 IF ROCK IS ENCOUNTERED, REMOVE ROCK TO FULL DEPTH OF POST PLUS 2 1/2". MINIMUM DIAMETER OF THE ROCK REMOVAL IS 12" DIAMETER.
- 114 SEE SHEET 3 FOR INSTALLATION LAYOUT DETAILS OF THE BULLNOSE TERMINAL.



DETAIL A



MEDIAN FIXED OBJECT SHIELDING PAY LIMITS



PLAN VIEW
TYPICAL BULLNOSE LAYOUT

SUBMITTED *W. T. Layson* 12-10-2024
DIVISION DIRECTOR DATE



COMMONWEALTH OF KENTUCKY
DEPARTMENT OF HIGHWAYS

SEPIA 095: STEEL THRIE BEAM BULLNOSE TERMINAL

SHEET 001: SYMMETRICAL BULLNOSE

REVISION DATE: 12.10.2024
REVISION NUMBER: 0

ITEM NO. COUNTY OF
SHEET NO.